
V120 Brackets

L-Bracket and C-Bracket
for V120 Isolation Mount

L-Bracket

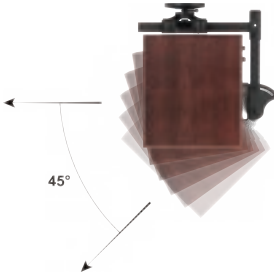


C-Bracket



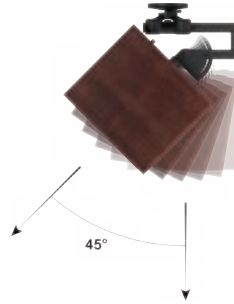
Introduction

The L-Bracket and C-Bracket mounts studio monitors to the V120 Mount and offer tilt adjustment to allow studio monitors to focus correctly to the listening position.



L-Bracket

The L-Bracket allows studio monitors to be positioned horizontally and can tilt downwards up to 45 degrees.



C-Bracket

The C-Bracket allows studio monitors to be positioned facing downwards and can tilt upwards up to 45 degrees.

Adapters not included

V120 Adapters (sold separately) are available to mount common studio monitors to the L-Bracket or C-Brackets, depending on the mounting hole locations.

Product Selector

The online [Product Selector](#) provides an easy reference to determine which adapters are required for a model of studio monitor. The Product Selector also helps determine which components are required to configure a model of studio monitor for a wall or ceiling installation using IsoAcoustics or other third-party mount.



Product Selector

Determine the right adapters for your studio monitor
calculator.isoacoustics.com

Safety Warnings

When using this product, basic safety precautions should always be followed to reduce the risk of injury, including the following:

⚠ DANGER Risk of falling! Take special care when working at height. Use safety equipment.

- Read this installation guide very carefully and pay attention to the information contained within, before installing.
- Installation should be carried out by trained installation personnel
- Pay attention to tight screw connections, especially when making adjustments
- The V120 Brackets are intended for indoor installation only
- Careful handling required due to adjustment options

Specifications

L-Bracket

- z Dimensions (W x H x D) - 360 x 165 or 305 x 25.5 mm (14.2" x 6.5" or 12" x 1")
- z Weight - 1.1 kg (2.43 lbs)
- z Max loading capacity - 18.1 kg (40 lbs)
- z Material - Black powder coated steel

C-Bracket

- z Dimensions (W x H x D) - 255 x 105 x 25.5 mm (10" x 4.1" x 1")
- z Weight - 0.7 kg (1.54 lbs)
- z Max loading capacity - 18.1 kg (40 lbs)
- z Material - Black powder coated steel

Installation Video

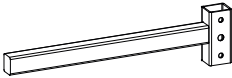
For video instructions on how to install the V120 Brackets, please use the QR code or shortened URL listed below.

Shortened URL code
<https://qrco.de/bdMZq1>

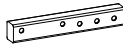


Scope of delivery

L-Bracket



T-Tube
(Qty 1)



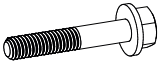
Short Tube
(Qty 1)



Long Tube
(Qty 1)



Tilt Adjuster
(Qty 1)



M6x35
Flanged hex bolt
(Qty 4)



M6
Flanged nylon nut
(Qty 3)



M6
Nylon nut
(Qty 1)

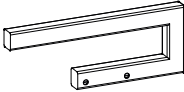


M6
Washer
(Qty 2)



M10
Wrench
(Qty 2)

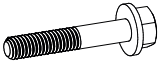
C-Bracket



C-Bracket
(Qty 1)



Tilt Adjuster
(Qty 1)



M6x35
Flanged hex bolt
(Qty 2)



M6
Flanged nylon nut
(Qty 1)



M6
Nylon nut
(Qty 1)



M6
Washer
(Qty 2)



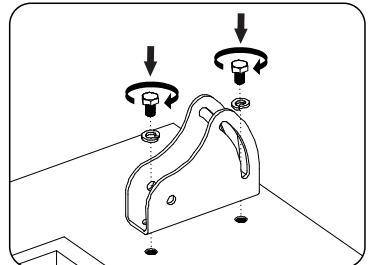
M10
Wrench
(Qty 2)

Installation Guide

1 Mounting the Tilt Adjuster directly to the studio monitor (option)

1. Fasten the Tilt Adjuster directly to the threads on the back of the studio monitors.

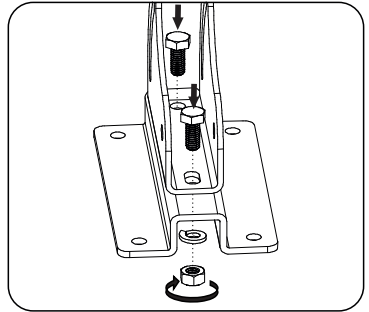
Note: Screws for mounting the Tilt Adjuster directly to the studio monitor are not included.



2 Mounting the Tilt Adjuster to the studio monitor using Adapter (option)

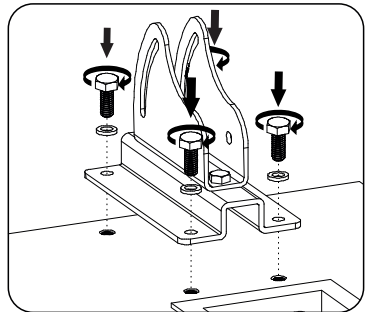
1. Mount the appropriate Adapter for your studio monitor to the Tilt Adjuster, using the following hardware included with the Adapter.

- M6 Hex bolt (Qty 2)
- Lock washers (Qty 2)
- M6 Nut (Qty 2)



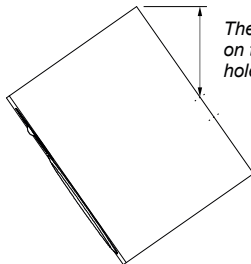
To determine the correct adapters for your studio monitors, use the IsoAcoustics Product Selector at calculator.isoacoustics.com.

2. Fasten the Adapter to the threads on the back of the studio monitors using the silver bolts and lock washers included with the Adapter. Bolts might need to be purchased separately if a different size or length is required.



3 Mounting the L-Bracket to the Tilt Adjuster

The L-Bracket includes a Short Tube and a Long Tube to provide different options depending on the threaded hole location on the studio monitors and the tilt angle.

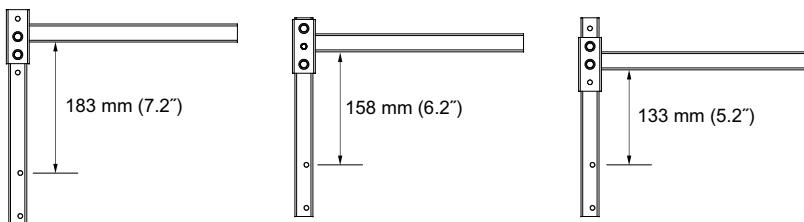


The use of a long or short bracket tube depends on the distance of the studio monitor threaded holes from the top edge of the studio monitor.

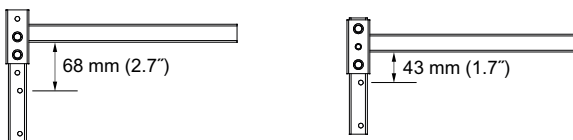
1. Choose between the Short Tube and the Long Tube, based on the location of the threaded inserts on the back of the studio monitor. The Short Tube is used if there is a smaller gap between the threads and the top of the studio monitor. The Long Tube is used if there is a bigger gap between the threads and the top of the studio monitor.

The following figures show the distance between the T-Tube and the Tilt Adjuster, depending on the holes used in the short or long tube.

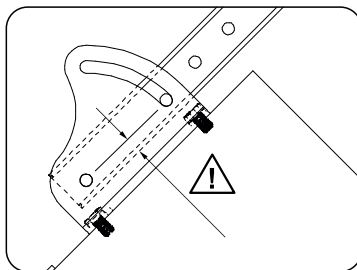
Long Tube used



Short Tube used

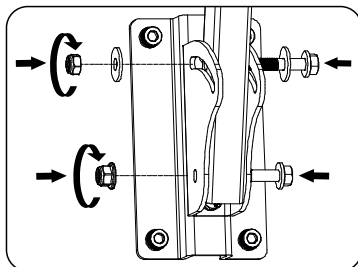


2. Install the Tilt Adjuster on the Short Tube or Long Tube as illustrated in the figure on the side. The Tilt Adjuster should be installed on the side of the tube that has the holes positioned closest to that side.

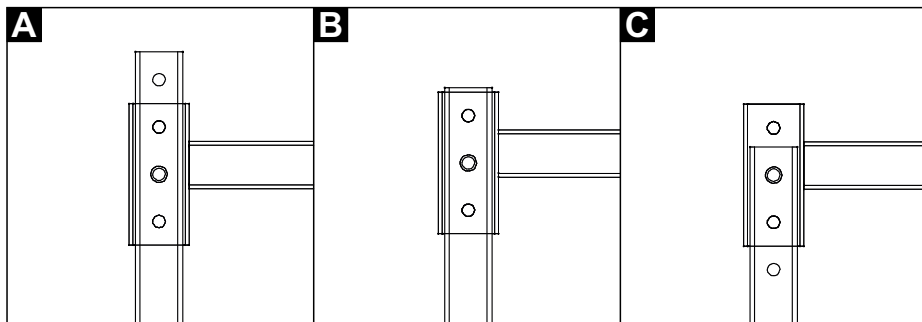


3. Use bolts, washers and nuts to fasten the Short Tube or Long Tube to the Tilt Adjuster as specified and shown in the figure below.

- Use the M6 Flanged hex bolt with the M6 Flanged nylon nut through the lower round hole in the tilt adjuster.
- Use the M6 Flanged hex bolt with the M6 Washers and M6 Nylon Nut on the slotted hole in the tilt adjuster.
- Use both M10 Wrenches to tighten the nuts and bolts.



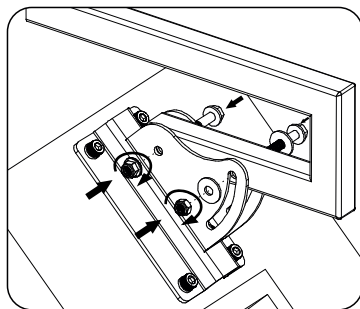
4. Slide the Tube with Tilt Adjuster in the T-Tube and align the holes in one of the configurations illustrated below. Install the M6 Flanged bolt and M6 Flanged nylon nut through two of the holes in the tubes.



4 Mounting the C-Bracket to the Tilt Adjuster

1. Position the Tilt Adjuster on the C-Bracket as illustrated in the figure below.

- Use the M6 Flanged hex bolt with the M6 Flanged nylon nut through the lower round hole in the tilt adjuster.
- Use the M6 Flanged hex bolt with the M6 Washers and M6 Nylon Nut on the slotted hole in the tilt adjuster.
- Use both M10 Wrenches to tighten the nuts and bolts.



2. Tighten the nuts and bolts so that the Tilt Adjuster is held firmly in place.

5 Mounting the L-Bracket or C-Bracket to the V120 Mount

1. Follow the instructions included with the V120 Isolation Mount to install the studio monitor with the L-Bracket or C-Bracket to the V120 Isolation Mount.

2. Adjust the tilt and rotation of the monitors, so they are properly focused to the listening position.



IsoAcoustics Inc.
39 Main street North, Unit 5
Markham, ON, Canada L3P 1X3
www.isoacoustics.com

© IsoAcoustics Inc. 2022
Published 10/2022

IG-10/2022-00