

Safety Warnings

When using this product, basic safety precautions should always be followed to reduce the risk of injury, including the following:

- Read this installation guide very carefully and pay attention to the information contained within, before installing the Keyhole Adapter
- Installation should be carried out by trained installation personnel
- When mounting, observe and follow the local, national and international regulations and standards.
- Please ensure the studio monitor is well supported while mounting it to the third party mounting hardware. It is recommended to have a second installer while mounting the studio monitor. If the keyhole adapter is not properly connected, the studio monitor could be dropped.

For video instructions on how to install the V120 Mount to third party mounting systems using the keyhole adaptor, please use the QR code or shortened URL listed below:

<https://qrco.de/bdL2v9>



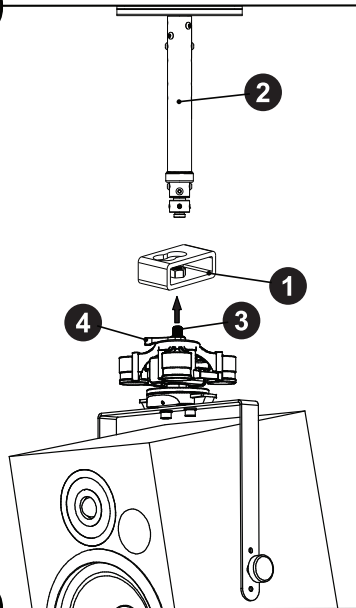
Specifications

- Dimensions (LxWxH) - 2.9"x1.6"x1.1" (74x40x28mm)
- Weight - 0.55 lbs (0.25 kg)
- Material - Black Powder Coated Steel

Parts

Legend

1. Keyhole Adapter
2. Third Party Mount
3. V120 M10 Thread
4. V120 Tightening Arm



Instructions

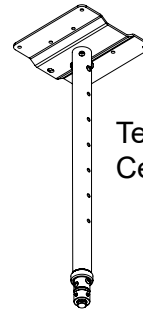
1. Install the third party mounting system (2) by following the safety and mounting instructions contained in the operating manual of the selected mounting hardware.
2. Assemble your V120 mount together with your studio monitors by following the instructions included with the V120 Mount.
3. Remove the V120 Ceiling Plate to expose the M10 Thread (3).

V120 Mount

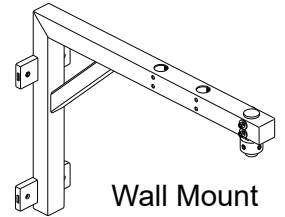
Keyhole Adapter



Installation Guide



Telescopic Ceiling



Wall Mount

Adapts the V120 Mount to Third Party hardware, including ADAM Audio and Neumann Mounting systems.

Instructions Cont.

4. Install the Keyhole Adapter (1) on the M10 thread (3) located on the top of the V120 Mount.
5. Follow the instructions included with the third party mount (2) to install the V120 Mount on the third party mount using the Keyhole Adapter (1).

CAUTION: Please ensure the studio monitor is well supported while mounting it to the third party mounting hardware. It is recommended to have a second installer for this step. If the keyhole adapter is not properly connected, the studio monitor could be dropped.

6. Loosen the V120 tightening arm (4) to rotate the studio monitor into the correct position, then tighten the V120 tightening arm (4) to lock it in place.
7. Follow the instructions included with the V120 Mount to tilt the studio monitors to focus them correctly to the listening position.