

Safety Warnings

When using this product, basic safety precautions should always be followed to reduce the risk of injury, including the following:

- Read this installation guide very carefully and pay attention to the information contained within, before installing the Truss Clamp
- Installation should be carried out by trained installation personnel
- When mounting, observe and follow the local, national and international regulations and standards.
- Please ensure the studio monitor is well supported while mounting it to the truss system. It is recommended to have a second installer while mounting the studio monitor. If the truss clamp is not properly connected, the studio monitor could be dropped.

Specifications

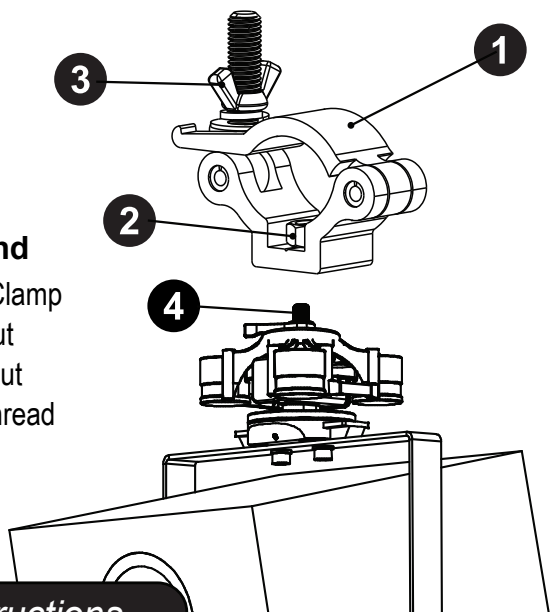
Truss Clamp 1.5"

- Tube Size - 1.5"-1.77" (38-45mm)
- Dimensions (LxWxH) - 3.75"x1.5"x2.5" (95x38x64mm)
- Weight - 0.46 lbs (0.21 kg)
- Material - Aluminum

Truss Clamp 2"

- Tube Size - 1.9"-2.05" (48-52mm)
- Dimensions (LxWxH) - 5.25"x4"x2" (133x102x51mm)
- Weight - 0.3 lbs (0.14 kg)
- Material - Aluminum

Parts



Legend

1. Truss Clamp
2. M10 Nut
3. Wing Nut
4. M10 Thread

Instructions

1. Assemble your V120 mount together with your studio monitors by following the instructions included with the V120 Mount.
2. Remove the V120 Ceiling Plate to expose the M10 Thread.
3. Using the included M10 nut, install the Truss Clamp on the M10 thread located on the top of the V120 Mount.

Truss Clamp



Installation Guide

The Truss Clamp allows quick and easy attachment of the V120 studio monitor mount to 1.5" or 2" truss. The clamp wraps around the truss and tightens with an adjustable wing nut for a safe and sturdy connection.

Installation Video



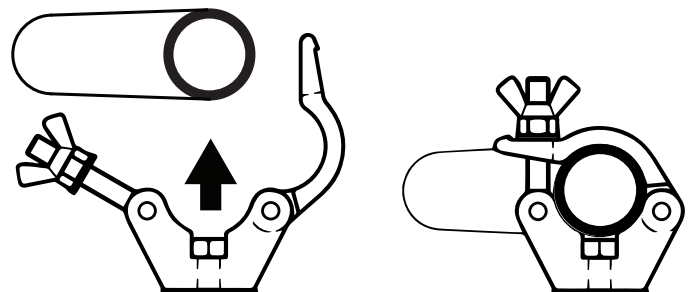
For video instructions on how to install the V120 Mount to a truss system using the Truss Clamp, please use the QR code or shortened URL listed below:



<https://qrco.de/bdLruA>

Instructions Cont.

4. Mount the complete assembly to the truss by wrapping the truss clamp over the tube and securing it by tightening the wing nut.



CAUTION: Please ensure the studio monitor is well supported while mounting it to the truss. It is recommended to have a second installer for this step. If the truss clamp is not properly connected, the studio monitor could be dropped.

5. Follow the instructions included with the V120 Mount to rotate and tilt the studio monitors into the optimal position.