

Safety Warnings

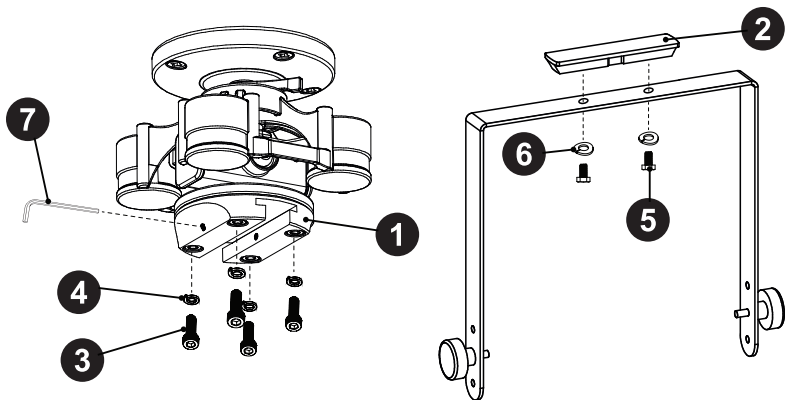
When using this product, basic safety precautions should always be followed to reduce the risk of injury, including the following:

- Read this installation guide very carefully and pay attention to the information contained within, before installing the U Bracket Adapter
- Installation should be carried out by trained installation personnel
- When mounting, observe and follow the local, national and international regulations and standards.
- Please ensure the studio monitor is well supported while mounting the U Bracket Adapter to the V120 Mount. It is recommended to have a second installer while mounting the studio monitor. If the truss clamp is not properly connected, the studio monitor could be dropped.

Specifications

- Dimensions (LxWxH) - 4.7"x3.1"x0.6" (120x80x16mm)
- Weight - 0.53 lbs (0.24 kg)
- Material - Aluminum (Black)

Parts



Legend

- | | |
|-------------------------------------|------------------------------|
| 1. U Bracket Adapter (Qty 1) | 5. M8 Hex Head Screw (Qty 2) |
| 2. U Bracket Adapter Insert (Qty 1) | 6. M8 Lock Washer (Qty 2) |
| 3. M6 Socket Head Screw (Qty 4) | 7. Hex Allen Key 2mm (Qty 1) |
| 4. M6 Lock Washer (Qty 4) | |

Instructions

1. Install the U Bracket Adapter (1) to the bottom of the V120 Circular Flange using the M6 Socket Head Screws (3) and M6 Lock Washer (4). Tighten the screws using the 5mm Allen key included with the V120 Mount
2. Install the U Bracket Adapter Insert (2) to the top of the U bracket using the M8 Hex Head Screws (5) and M8 Lock Washers (6).

V120 Mount

U Bracket Adapter



Installation Guide

Adapts the V120 Mount to U Brackets, for studio monitors with mounting threads located on the sides. Compatible with models, such as ADAM Audio and Neumann.

Installation Video



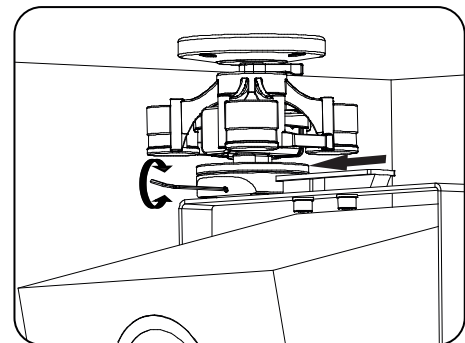
For video instructions on how to install the V120 Mount using the U Bracket Adapter, please use the QR code or shortened URL listed below:



<https://qrco.de/bdMoff>

Instructions Cont.

3. Follow the instructions included with the U-bracket to attach the U-Bracket to the studio monitor



4. With the V120 in its final mounting position, slide-in the U-Bracket Adapter Insert (2) into the U Bracket (1) and lock it in place by tightening the set screws located on each side of the U-Bracket Adapter, using the 2mm Allen Key (7)
5. Follow the instructions included with the V120 Mount to rotate and tilt the studio monitors to focus them correctly to the listening position.

IsoAcoustics Inc.

39 Main St. North, Unit 5, Markham, ON, Canada L3P 1X3
www.isoacoustics.com | info@isoacoustics.com