

## Safety Warnings

When using this product, basic safety precautions should always be followed to reduce the risk of injury, including the following:

- Read this installation guide very carefully and pay attention to the information contained within, before installing the Wall Bracket
- Installation should be carried out by trained installation personnel
- Only install on walls that are suitable to support the combined weight of the Wall Bracket, V120 Mount and the studio monitors. Do not mount on walls that are too weak or have electric or plumbing lines
- Follow the instructions and guidelines provided by the fastener/anchor manufacturer. Ensure that the fasteners and anchors are rated to support the weight of the Wall Bracket, V120 Mount and studio monitors
- When mounting, observe and follow the local, national and international regulations and standards.

## Specifications

- Dimensions (LxWxH) - 13.8"x3.5"x9.8" (350x90x250mm)
- Weight - 4.19 lbs (1.9 kg)
- Material - Black powder coated steel
- Weight Capacity - 60 lbs (27.2 kg)

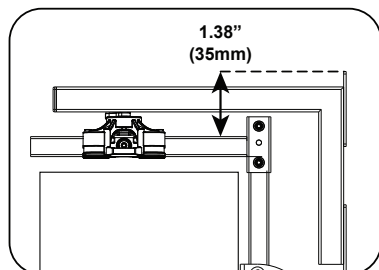
## Tools Required

- Drill
- Drill bit (wood or masonry)
- Level
- Stud finder
- Measuring tape
- Pencil
- Wrench or screw driver
- Fasteners and anchors (Not included)
- Tape

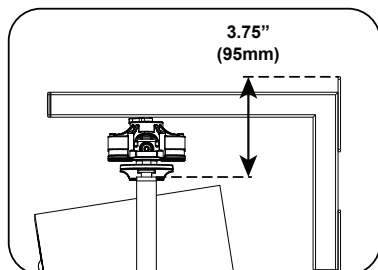
## Instructions

1. Prepare the studio monitor for mounting to the V120 Mount. Install the appropriate IsoAcoustics V120 Mounting Brackets and Adapters on the studio monitor by following the instructions included with the brackets and adapters.
2. Determine the location for installing the V120 Wall Bracket

**Note:** When installing on a wood stud wall, use a stud finder to locate the studs and align the middle installation holes of the V120 Wall Bracket with the wood stud location.



L-Bracket or C-Bracket



U Bracket & Adapter

**Note:** When determining the installation height for the V120 mounting bracket, consider that the top of the V120 Wall Bracket will be 1.38" (35mm) above the top of the L-Bracket or C-Bracket, and the top of the V120 L-Bracket will be 3.75" (95mm) above the top of the Third-Party U-Bracket.

## V120 Mount

## Wall Bracket



## Installation Guide

Wall Bracket for wall mounting studio monitors using the V120 isolation mount.

## Installation Video

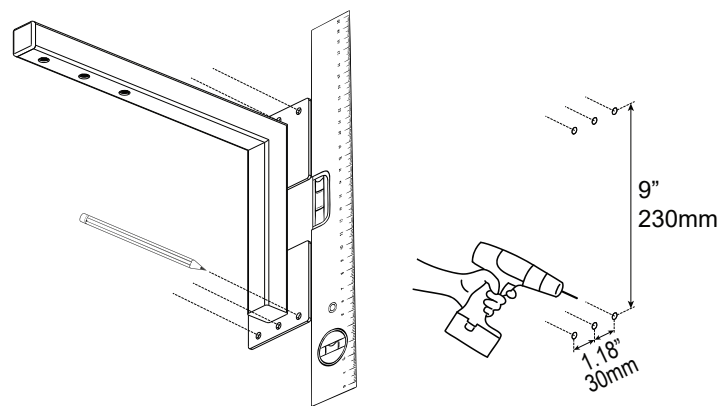


For video instructions on how to install the V120 Wall Bracket, please use the QR code or shortened URL listed below:



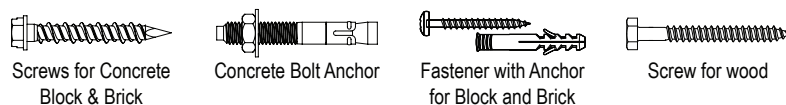
<https://qrco.de/bdMoYR>

## Instructions Cont.



3. Move the Wall Bracket into position and mark the fastener locations with a pencil

## Fastener Examples



4. Select a fastener and anchor that is designed for the type of wall and that is rated to support the combined weight of the studio monitor and the mounting brackets. Follow the instructions provided by the fastener/anchor manufacturer to drill the anchor holes in the marked locations and install the wall bracket.